



LEFROY BROOKS

1 8 2 8 T R O U T M A N S T R E E T
R I D G E W O O D N E W Y O R K N Y 1 1 3 8 5 U S A
T: +1(718) 302 5292 F: +1(718) 302 4177

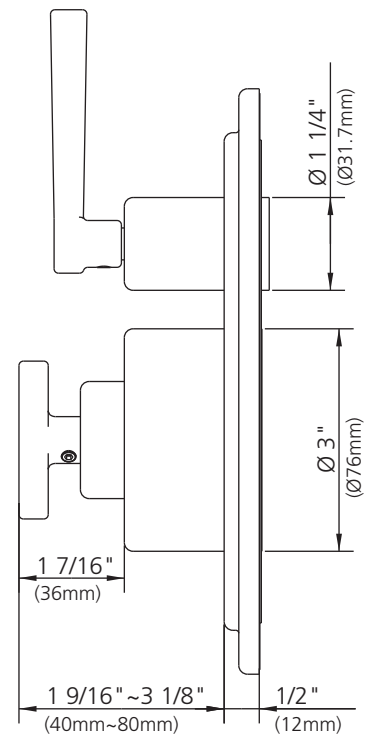
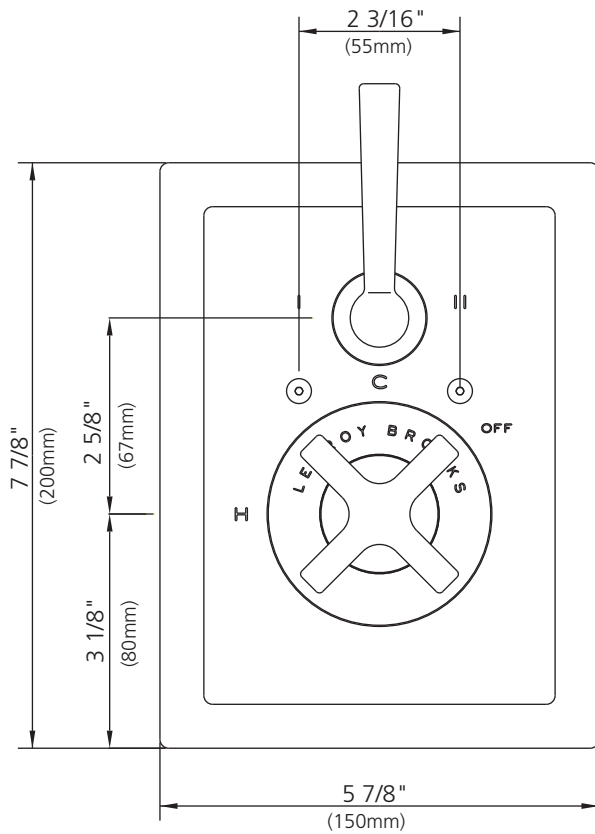
M1-4302

CROSS HANLE PRESSURE BALANCE WITH LEVER 2-WAY DIVERTER
TRIM ONLY, TO SUIT M1-4101 ROUGH

DIMENSIONAL DATA SHEET

DATE: 21 August 2012

No: A667828



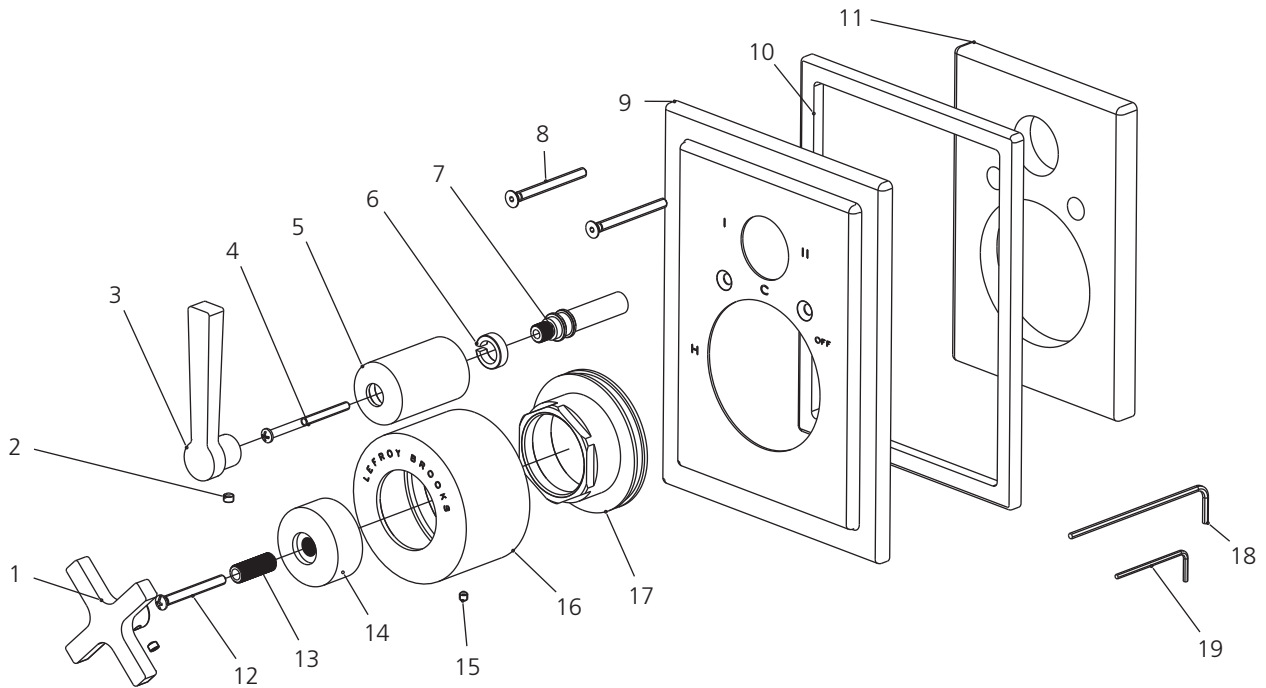
COPYRIGHT © LBIP LTD 2012. ALL RIGHTS RESERVED.

DIMENSIONS IN INCHES & MILLIMETRES

WHILST EVERY EFFORT IS MADE TO ENSURE THE ACCURACY OF THESE DATA SHEETS THEY ARE SUBJECT TO CHANGE WITHOUT NOTICE AS PART OF THE COMPANY'S PRODUCT DEVELOPMENT PROCESS

M1-4302

CROSS HANLE PRESSURE BALANCE WITH LEVER 2-WAY DIVERTER TRIM ONLY, TO SUIT M1-4101 ROUGH



| | | | |
|----|-------------------------|----|-------------------------|
| 1 | Handle (029685) | 11 | Spacer (013816) |
| 2 | Set screw (292598) | 12 | Screw (008115) |
| 3 | Handle (029686) | 13 | Stem extension (110389) |
| 4 | Screw (008189) | 14 | Canopy (018961) |
| 5 | Canopy (018960) | 15 | Set screw (065086) |
| 6 | Clip (012242) | 16 | Canopy (018959-50) |
| 7 | Stem extension (110388) | 17 | Adjusting ring (104292) |
| 8 | Screw (008186) | 18 | Allen key (031220) |
| 9 | Front plate (006584-50) | 19 | Allen key (031003) |
| 10 | Oil seal (010940) | | |

Standards

IAPMO/cUPC Listed
Meets A112.18.1

Please note :

Final achievable flow rate is dependent on the outlets fitted, see relevant outlets (spouts, roses, sprays) for fully assembled product flow rate.